

MINI EXCAVATORS



Concrete solutions. Always.

15SR
18zT

Operating weight 1.540 - 1.650 kg
Engine power 11,2 kW - 15,3 HP

Operating weight 1.730 - 1.810 kg
Engine power 11,2 kW - 15,3 HP

 **EUROCOMACH®**

The extremely compact dimensions make the 15 SR (reduced rear rotation range) and 18 ZT (zero tail with enlarged carriage) your best allies for all your working needs both indoors and outdoors.



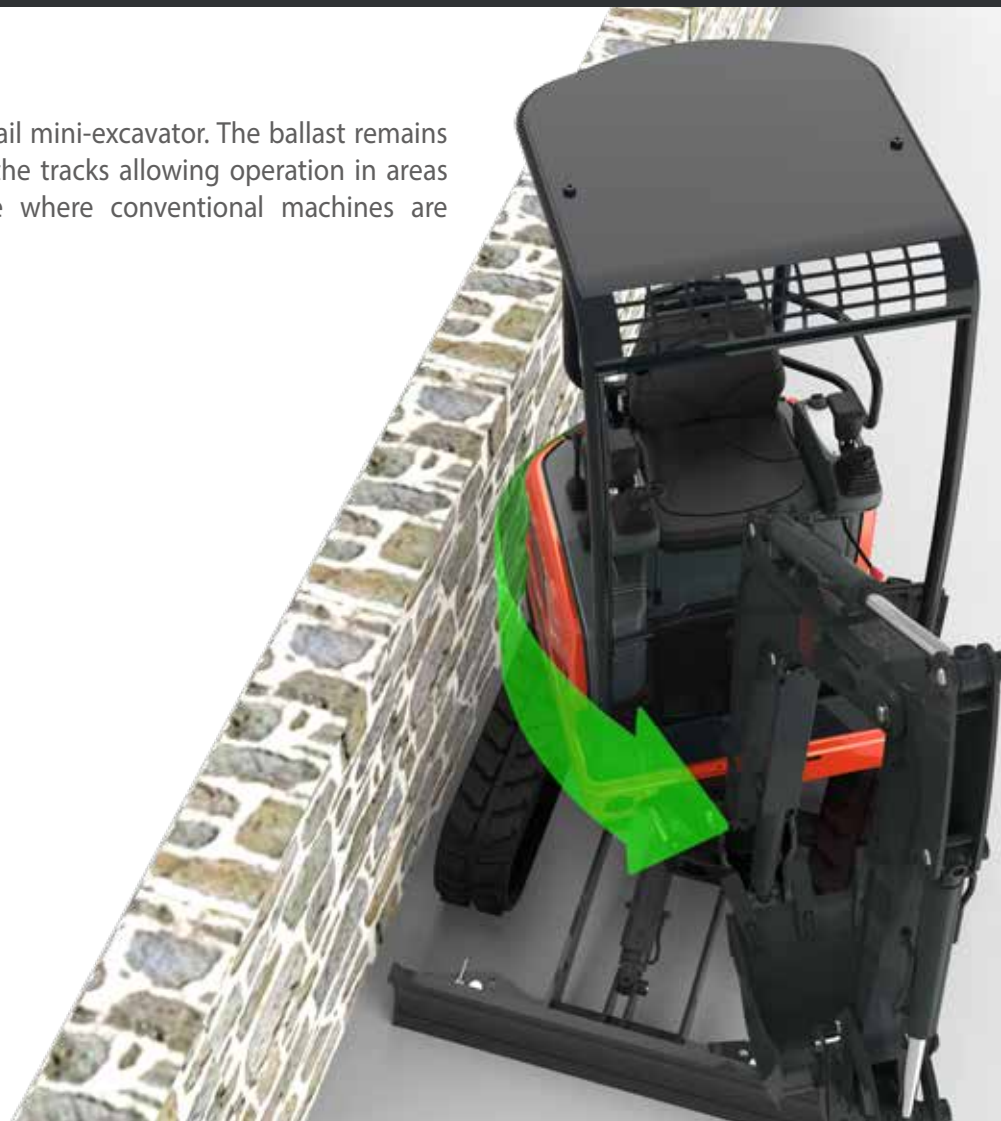
The undercarriage and blade can be widened from 990 mm to 1300 mm, ensuring greater stability and thus complete operating mobility.



LIKE THE GREATEST, JUST SMALLER.

DIMENSIONS

The 18 ZT is a zero tail mini-excavator. The ballast remains inside the width of the tracks allowing operation in areas with reduced space where conventional machines are unable to operate.



Both models can be equipped with four upright roll-bar protection or cab. The choice allows unmatched versatility: minimum footprint for maximum performance.



ZERO TAIL

The ergonomic driver seat includes servo assisted controls, wrist rests and motion levers with closing pedals.



USB RADIO

The radio is equipped with a handy USB port.

COMFORT, SAFETY AND FUNCTIONALITY. FINALLY TOGETHER



COMMANDS AND CONTROLS

Both models have two motion modes: first gear with reduced speed and high thrust force and second speed with greater transfer speed. Everything is controlled by a practical button above the backfill blade lever.

Motion can be controlled using the advancement lever and integrated folding pedals that, once closed, increase the space available to the operator and prevent accidental use.

The foot board flush with the door makes for stepless exit from the cab and facilitates floor cleaning operations. It was designed to be able to be removed easily in order to perform extraordinary maintenance.



STRAIGHT TRAVEL

In case of simultaneous control of the services and motion, the hydraulic system with variable displacement pumps simultaneously ensures the fluidity of movements and straight driving of the machine.



AUTO TWO SPEED

When the excavator needs more thrust force, the automatic speed transmission intervenes, reducing the motion ratio.

ALL CONTROLS AT YOUR SERVICE.

The cabin, with its generous interior dimensions, offers some of the best interior space in its class. The large width of the access door makes it easy to climb in and out.

The front windshield with assisted lift promotes maximum visibility due to its considerable width. The adjustable suspension seat combined with the floating cabin, adequately dampens vibrations and bumps, maximizing operator comfort.

The cab version is also equipped with a radio, glove compartment and battery charger.

AUX

The auxiliary hydraulic system and tilting are controlled by practical pedals with folding guards to prevent accidental use.



VISIBILITY

The special design of the body and protective structures give the operator a wide field of vision, allowing easy control of the front tracked part.

The large windshield along with the upper rear window lets the operator keep an eye on the entire work area while remaining comfortably seated.



WORK LIGHTS

A powerful light installed on the arm optimizes visibility even with low lighting.



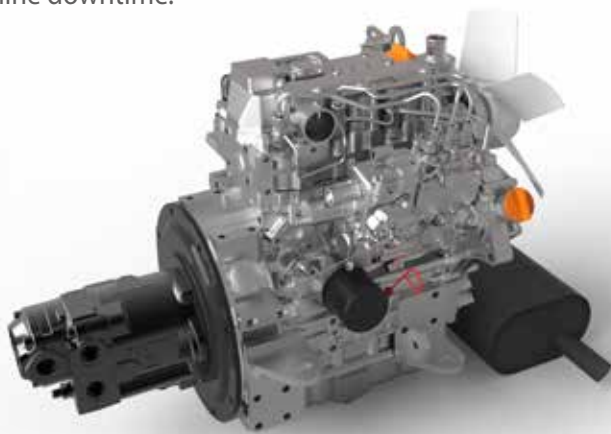
FLEXIBILITY, COMPACTNESS, ERGONOMICS.

The practical additional external ballast (optional) can, when needed, further increase the excellent operating stability without compromising the overall size of the machine.

EFFICIENCY AND CONSUMPTION

The heart of the excavators is the efficient YANMAR 3TNV70 - Stage 5 engine designed and built to optimize performance and reduce fuel consumption.

The long intervals between programmed maintenance contribute to economic efficiency, reducing costs and machine downtime.



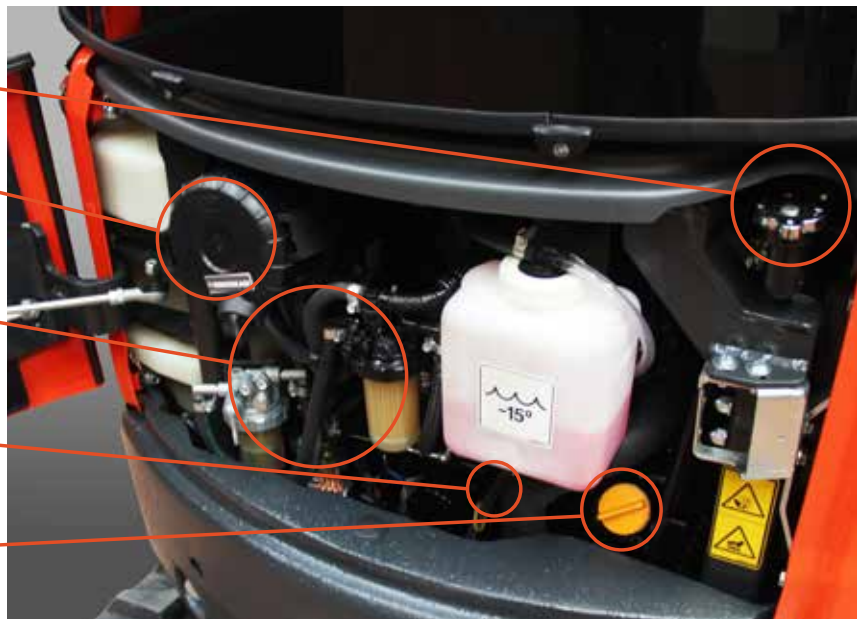
SAFETY

Machine safety means operator peace of mind. Sensors monitoring the manipulator position prevent accidental control of the machine. The excavator startup system does not allow ignition when control of the commands is active. Safety belts, the cabin structure and rollbar with FOPS level I and TOPS certificate provide all of the safety needed in the cab in the event of an accident.



OPTIONAL COUNTERWEIGHT

The rear engine compartment offers easy access to all filters on the heat engine (fuel, oil and air) in addition to easy topping up of cooling liquid and motor oil.



All access points for daily checks and for routine maintenance are easily accessible and concentrated in defined areas, optimizing machine downtime.



The battery, fuses and hydraulic oil top up can be reached through special compartments on the front of the drivers location.



ACCESSIBILITY

Common or dedicated access areas make every maintenance operation quick and easy.

SPACE FOR SERVICES.



THE IMPORTANCE OF BEING RELIABLE.

RELIABILITY

Designed and tested for high performance with continuous reliability.

The definition of the materials, the selection of components and design of the structures were created to exceed the most stressful and harsh work tests.

Standing out among these are the rotation column in fusion, the protections on the lifting cylinder and the steel blade and bonnets that increase efficiency and life of the product.



PERFORMANCE

ECS: ONE CONCEPT, NUMEROUS POSSIBILITIES.

UTILITIES AND SERVICES

We listen to all your needs so we can propose the best possible machine solution.

We consider our products to be not only simple machines but the best opportunity for our clients.

Among the services provided, the following are available:

- Customized paint
- Various types of tracks
- Auxiliary line hookups customized by type and quantity
- Additional equipment

The many configurations available allow you to make the best choice in relation to the work to be performed.





SATELLITE MONITORING SYSTEM.

EUROCOMACH GEOSERVICE

- Precise location of the machine on the Internet
- Antitheft device with alarm and notification via SMS/email
- High water temperature or low engine oil pressure alarm with notification via SMS/email
- Use time monitoring with alarm for service due

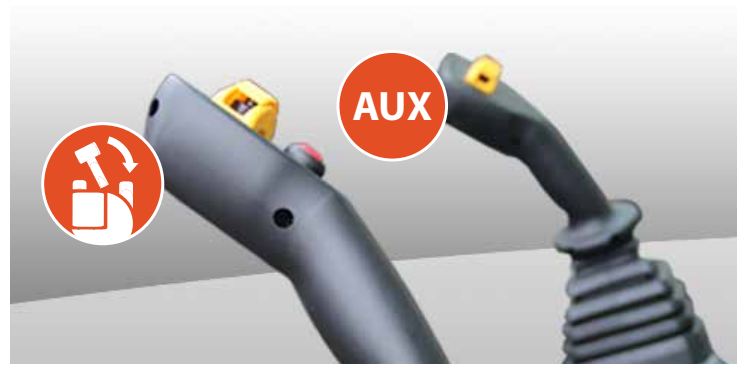
OPTIONALS.

The wide range of equipment especially designed for Eurocomach mini excavators ensures the most appropriate use of the machine, maximizing performance.

A complete offer of optional fittings ensures the best performances.



Hydraulic system for chopper with additional pump (19 lt/min)



Auxiliary hydraulic system hookup with Proportional electrohydraulic control on the joystick



Customized paint

18 ZT			
15 SR			
ENGINE			
Diesel engine, 3 cylinders, displacement 854 cc, watercooled	●	●	
Electric preheater	●	●	
Dry air filter with discharge valve and filter clogged indicator	●	●	
Double cartridge air filter	●	●	
Cartridge engine oil filter	●	●	
Cartridge fuel filter	●	●	
Fuel filter with transparent water separation container	●	●	
Fuel tank discharge	●	●	
Auxiliary liquid refrigerant expansion tank	●	●	
CANOPY			
4 upright rollbar ROPS - TOPS - FOPS (Level I)	●	●	
Adjustable mechanical suspension seat	○	○	
Adjustable pneumatic suspension seat	○	○	
Safety Belt	●	●	
Wrist supports	●	●	
Foot supports	●	●	
Closable motion petals	●	●	
Comfort rubber foot rest	●	●	
Drivers seat platform assembled on 4 vibration damping elastic supports	●	●	
Indicator light for hydraulic filter and engine air intake filter clog	●	●	
Water temperature and fuel level indicators	●	●	
Hour counter	●	●	
High water temperature alarm	●	●	
Warning buzzer	●	●	
Single pole 12 volt power supply outlet	●	●	
CAB			
Cab ROPS - TOPS - FOPS (Level I)	○	○	
Adjustable seat	●	●	
Adjustable mechanical suspension seat	○	○	
Adjustable pneumatic suspension seat	○	○	
Safety Belt	●	●	
Wrist supports	●	●	
Closable motion petals	●	●	
Comfort rubber foot rest	●	●	
Heating system with speed adjustment	●	●	
Sliding right side window	●	●	
Windshield with assisted opening system (gas springs)	●	●	
Rolling sun blind	●	●	
Courtesy light	●	●	
Indicator light for hydraulic filter and engine air intake filter clog	●	●	
Water temperature and fuel level indicators	●	●	
Hour counter	●	●	
High water temperature alarm	●	●	
Warning buzzer	●	●	
Radio AM/FM USB	○	○	
Single pole 12 volt power supply outlet	●	●	
Front windshield wipers with sprayer and speed control	●	●	

18 ZT			
15 SR			
SAFETY			
Machine blocking device during exit/access to the driver's seat	●	●	
Engine ignition device only with the left console lowered	●	●	
Anti-slip climbing plate	●	●	
Climbing and descending handles	●	●	
Emergency bar	●	●	
Rearview mirror kit	●	●	
Anti-drift safety valve on the first arm, second arm and backfill blade	○	○	
Pressure accumulator that allows the arm to be lowered in the event of an engine failure	●	●	
HYDRAULIC SYSTEM			
Open circuit hydraulic system with variable capacity pump	●	●	
ISO hydraulic servo-control	●	●	
Hydraulic oil intake filter	●	●	
Rotation parking brake	●	●	
Motion parking brake	●	●	
Two speed motion system	●	●	
Single and double effect hydraulic system	●	●	
Hydraulic setup for calliper rotor (with switches on bucket cylinder)	○	○	
Hydraulic setup for chopper (with additional pump)	○	○	
AUX 2: Hydraulic setup for calliper rotor with pedal control (excludes tilting operation)	○	○	
AUX 2: System setup for calliper rotor with proportional electro-hydraulic control on the Right joystick	○	○	
ELECTRICAL SYSTEM			
Work lights on the lifting arm	●	●	
Supplementary work lights on the lifting arm	○	○	
Supplementary front canopy/cap lights	○	○	
Supplementary rear canopy/cap lights	○	○	
Rotating light	○	○	
Battery disconnect switch	●	●	
Watertight connectors (IP67)	●	●	

18 ZT			
15 SR			
UNDERCARRIAGE			
Variable track undercarriage	/	●	
Backfill blade		●	●
Dozer blade cylinder protective casing		●	●
Motion engines casing		●	●
Rotating joint protective casing		●	●
Rubber tracks		●	●
Iron tracks		○	○
Rubber road pad for iron tracks		○	○
4 anchoring points for transport		●	●
UTILITY			
Antitheft system		○	○
Geo-service system for locating and remote diagnostics		○	○
Second excavating arm 950 mm		●	/
Second excavating arm 1100 mm		○	/
Second excavating arm 1,150 mm		/	●
Second excavating arm 1,350 mm		/	○
Additional external counterweight		○	○
Colour customizations (RAL specific)		○	○
4 anchoring points for lifting		●	●
On-board visual fuel level indicator		●	●
Lifting cylinder protective casing		●	●

STANDARD EQUIPMENT ●
 OPTIONAL EQUIPMENT ○
 NOT AVAILABLE /

TECHNICALS SPECIFICATIONS

Operating weight with canopy (with rubber tracks)	kg	1.540
Operating weight with cabin (with rubber tracks)	kg	1.650
Travelling speed	km/h	1 ^a : 0 ÷ 2,2 / 2 ^a : 0 ÷ 4,2
Slew speed	rpm	12

ENGINE

Type	YANMAR 3TNV70 - Stage 5	
Max Power (2.100 rpm)	kW - HP	11,2 - 15,2
Displacement	cc	854
Number of cylinders	n°	3
Cooling	water	
Consumption	lt/h	2,4
Alternator	V (A)	12 (35)
Battery	V (Ah)	12 (65)

HYDRAULIC SYSTEM

Pump type	variable flow	
Pump displacement	cc	8 + 8 + 6,5
Pump capacity	lt/min	17,6 + 17,6 + 14,3
Max. circuit calibration pressure	bar	210
Auxiliary system:	Max capacity	lt/min
	Max pressure	bar
		36
		210

PERFORMANCES

Max digging depth standard arm (optional arm)	mm	2.060 (2.210)
Max dumping height with canopy standard arm (optional arm)	mm	3.285 (3.365)
Max dumping height with cab standard arm (optional arm)	mm	2.380 (2.460)
Bucket breaking force (standard arm) ISO 6015	daN	1.550
Arm breaking force (standard arm) ISO 6015	daN	1.150
Traction force	daN	1.500
Ground bearing pressure with rubber tracks and canopy (with cabin)	kg/cm ²	0,28 (0,30)
Max slope	60% - 30°	

DIMENSIONS

Maximum width	mm	990
Total height	mm	2.357
Rear rotation radius	mm	650
Digging arm length std (optional)	mm	950 (1.100)
Tracks width	mm	230
Rollers number (for each side)	n°	3

FILLINGS

Fuel tank	lt	18
Hydraulic oil tank	lt	20
Hydraulic circuit capacity	lt	30
Cooling system capacity	lt	4
Engine oil	lt	2,8

CONTROLS

Boom, dipper stick, bucket and turret swing	2 pilot joysticks
Track movements (included counter rotation)	2 pilot levers
Dozer blade	mechanical lever
Auxiliary circuit (simple or double effect)	left pedal
Boom swing	right pedal

TECHNICALS SPECIFICATIONS

Operating weight with canopy (with rubber tracks)	kg	1.730
Operating weight with cabin (with rubber tracks)	kg	1.810
Travelling speed	km/h	1 ^a : 0 ÷ 2,2 / 2 ^a : 0 ÷ 4,2
Slew speed	rpm	12

ENGINE

Type	YANMAR 3TNV70 - Stage 5	
Max Power (2.100 rpm)	kW - HP	11,2 - 15,2
Displacement	cc	854
Number of cylinders	n°	3
Cooling	water	
Consumption	lt/h	2,4
Alternator	V (A)	12 (35)
Battery	V (Ah)	12 (65)

HYDRAULIC SYSTEM

Pump type	variable flow	
Pump displacement	cc	8 + 8 + 6,5
Pump capacity	lt/min	17,6 + 17,6 + 14,3
Max. circuit calibration pressure	bar	210
Auxiliary system:	Max capacity	lt/min
	Max pressure	bar
		36
		210

PERFORMANCES

Max digging depth standard arm (optional arm)	mm	2.300 (2.500)
Max dumping height with canopy standard arm (optional arm)	mm	2.700 (2.850)
Max dumping height with cab standard arm (optional arm)	mm	2.530 (2.635)
Bucket breaking force (standard arm) ISO 6015	daN	1.550
Arm breaking force (standard arm) ISO 6015	daN	1.050
Traction force	daN	1.500
Ground bearing pressure with rubber tracks and canopy (with cabin)	kg/cm ²	0,32 (0,33)
Max slope	60% - 30°	

DIMENSIONS

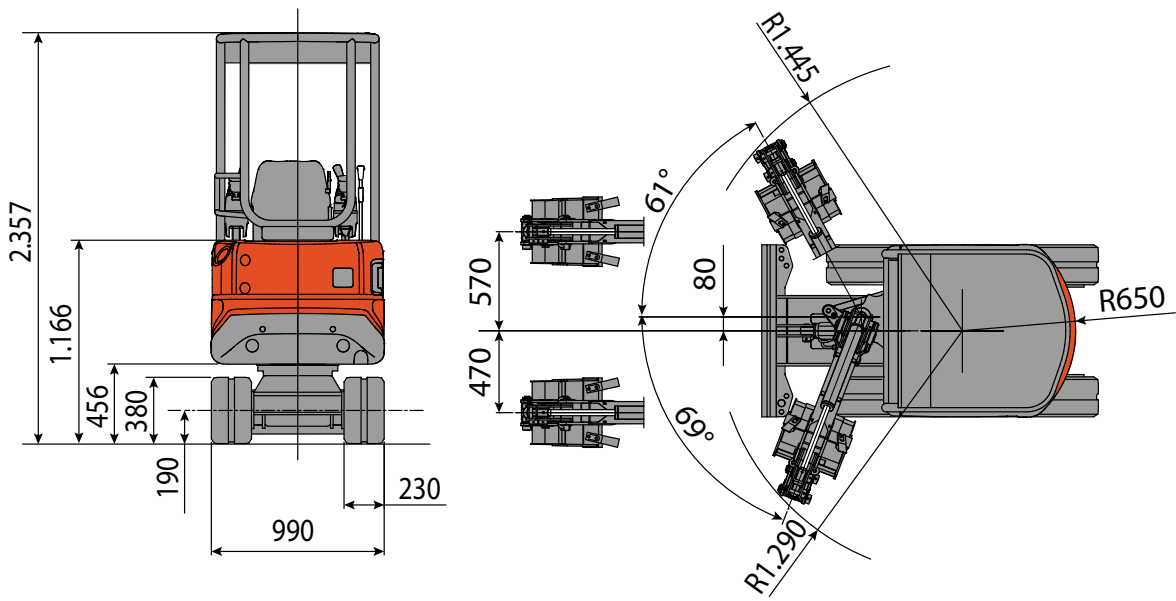
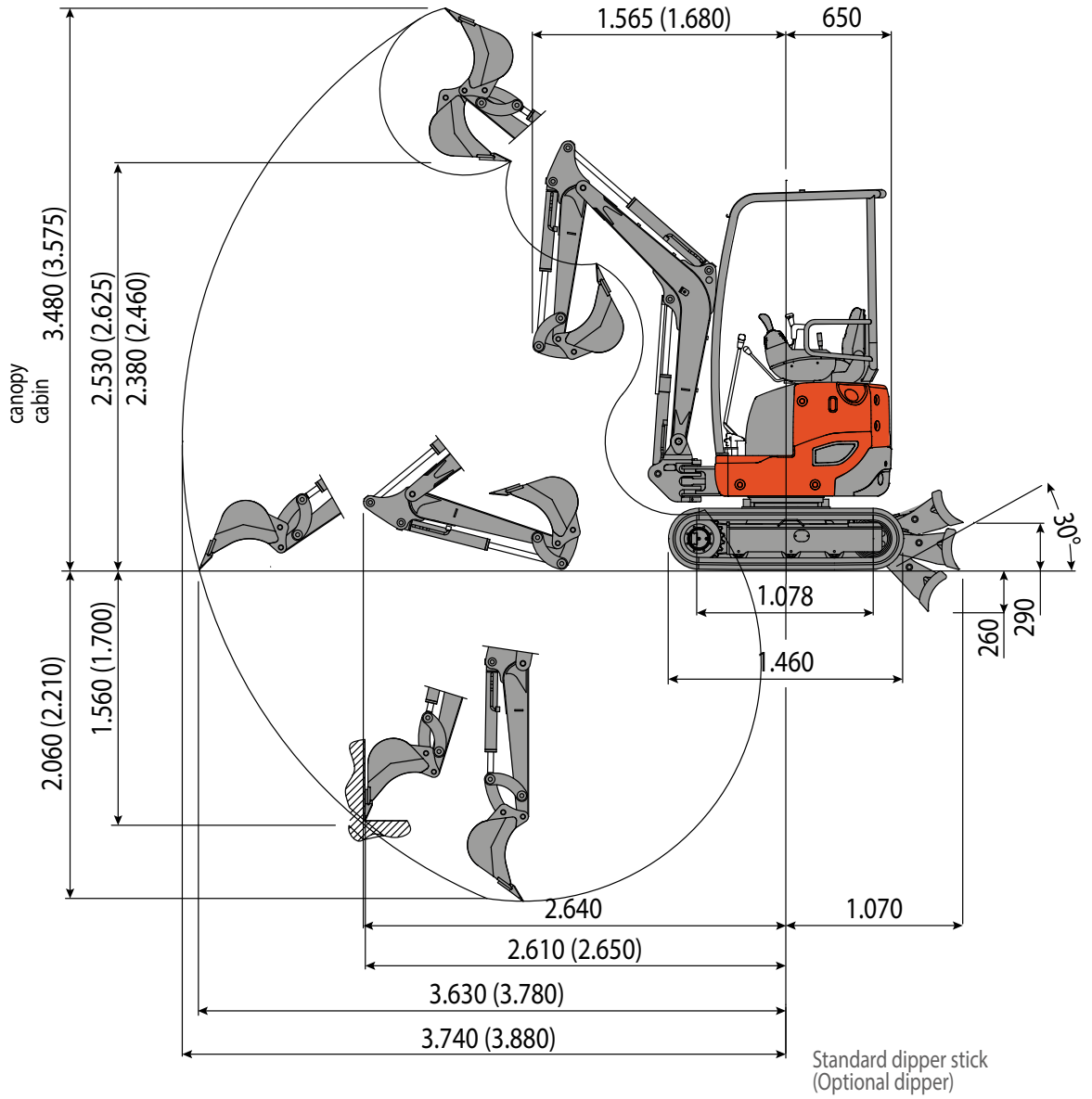
Maximum width	mm	990 - 1.300
Total height	mm	2.357
Rear rotation radius	mm	650
Digging arm length std (optional)	mm	1.150 (1.350)
Tracks width	mm	230
Rollers number (for each side)	n°	3

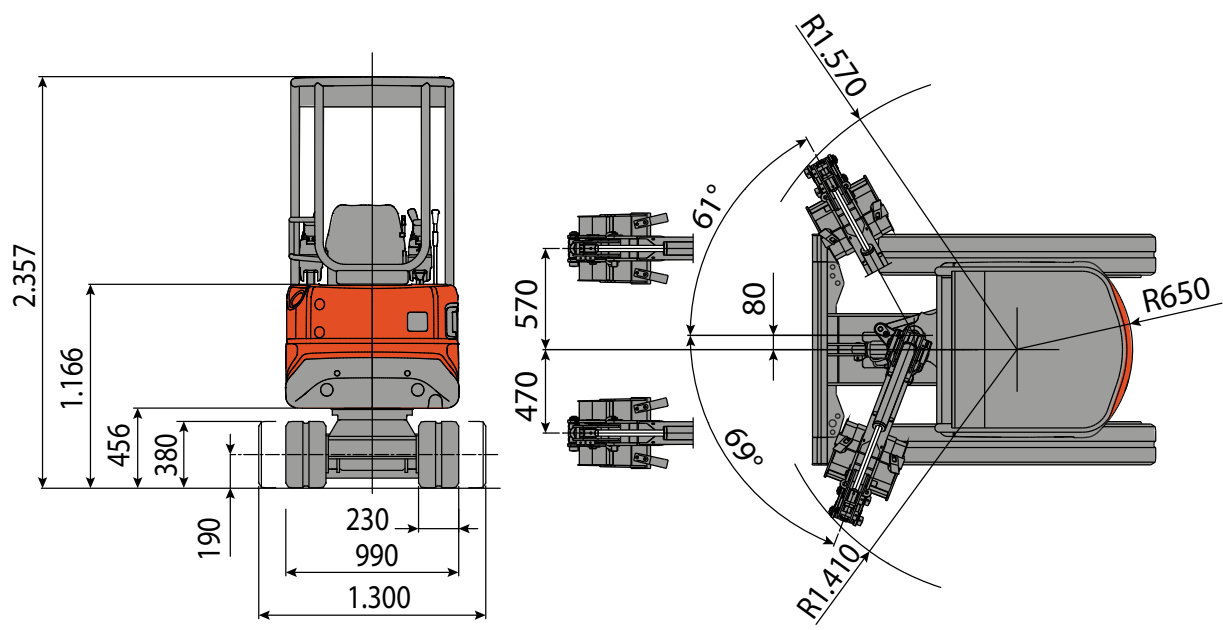
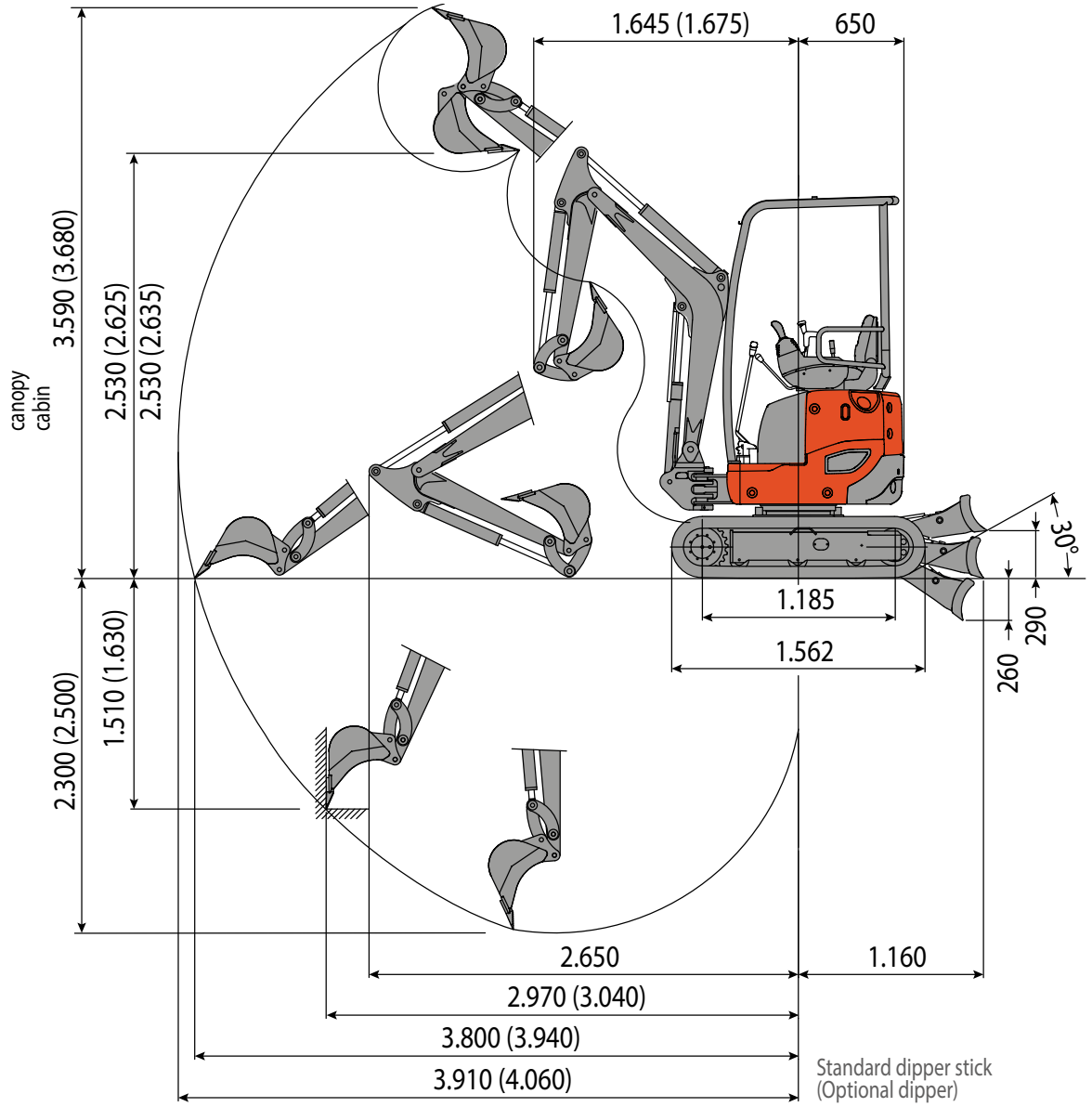
FILLINGS

Fuel tank	lt	18
Hydraulic oil tank	lt	20
Hydraulic circuit capacity	lt	30
Cooling system capacity	lt	4
Engine oil	lt	2,8

CONTROLS

Boom, dipper stick, bucket and turret swing	2 pilot joysticks
Track movements (included counter rotation)	2 pilot levers
Dozer blade	mechanical lever
Auxiliary circuit (simple or double effect)	left pedal
Boom swing	right pedal





LIFTING CAPACITY

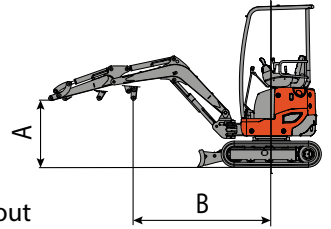
The lifting capacity is based on ISO 10567 and does not exceed 75% of the static tipping load or 87% of the hydraulic lifting capacity of the machine.

The straddle refers to the centre of rotation.

* Indicates the hydraulic load limit.

0 m refers to ground level.

The machine is understood to be equipped with a cab, rubber tracks, without a bucket and without a quick coupling.



Unit: ton

Raised Blade, Standard Arm (950 mm)

() the values in parenthesis are with additional ballast: 0.08 ton

A (m)	B (m)								
	1.0		2.0		3.0		MAX		
2.0			*0,42 (*0,42)	0,26 (0,23)			0,31 (0,34)	0,14 (0,17)	2,90 m
1.0			*0,44 (*0,44)	0,25 (0,21)	0,24 (0,32)	0,15 (0,18)	0,22 (0,25)	0,12 (0,14)	3,20 m
0			*0,54 (*0,54)	0,24 (0,21)	0,24 (0,31)	0,15 (0,17)	0,24 (0,26)	0,12 (0,15)	3,08 m
-1.0	*0,41 (*0,41)	*0,27 (*0,27)	*0,55 (*0,55)	0,25 (0,21)			0,38 (0,41)	0,09 (0,12)	2,47 m

Lowered Blade, Standard Arm (950 mm)

() the values in parenthesis are with additional ballast: 0.08 ton

A (m)	B (m)								
	1.0		2.0		3.0		MAX		
2.0			*0,42 (*0,42)	0,26 (0,23)			0,31 (0,34)	0,14 (0,17)	2,90 m
1.0			*0,44 (*0,44)	0,25 (0,21)	0,28 (0,28)	0,15 (0,18)	0,22 (0,25)	0,12 (0,14)	3,20 m
0			*0,54 (*0,54)	0,24 (0,21)	0,27 (0,27)	0,15 (0,17)	0,24 (0,26)	0,12 (0,15)	3,08 m
-1.0	*0,41 (*0,41)	*0,27 (*0,27)	*0,55 (*0,55)	0,25 (0,21)			0,38 (0,41)	0,15 (0,19)	2,47 m

Raised Blade, Optional Arm (1100 mm)

() the values in parenthesis are with additional ballast: 0.08 ton

A (m)	B (m)								
	1.0		2.0		3.0		MAX		
2.0			0,42 (0,42)	0,26 (0,22)			0,30 (0,32)	0,14 (0,17)	3,07 m
1.0			0,43 (0,43)	0,24 (0,21)	0,24 (*0,31)	0,15 (0,18)	0,20 (0,23)	0,12 (0,14)	3,35 m
0			0,54 (0,54)	0,23 (0,2)	0,23 (*0,3)	0,14 (0,17)	0,22 (0,24)	0,12 (0,15)	3,24 m
-1.0	0,41 (0,41)	0,27 (0,27)	*0,55 (*0,55)	*0,24 (0,21)			0,36 (0,39)	0,09 (0,12)	2,67 m

Lowered Blade, Optional Arm (1100 m)

() the values in parenthesis are with additional ballast: 0.08 ton

A (m)	B (m)								
	1.0		2.0		3.0		MAX		
2.0			0,42 (0,42)	0,26 (0,22)			0,30 (0,32)	0,14 (0,17)	3,07 m
1.0			0,43 (0,43)	0,24 (0,21)	*0,28 (*0,28)	0,15 (0,18)	0,20 (0,23)	0,12 (0,14)	3,35 m
0			0,54 (0,54)	0,23 (0,2)	*0,27 (*0,27)	0,14 (0,17)	0,22 (0,24)	0,12 (0,15)	3,24 m
-1.0	0,41 (0,41)	0,27 (0,27)	*0,55 (*0,55)	*0,24 (0,21)			0,36 (0,39)	0,09 (0,12)	2,67 m

LIFTING CAPACITY

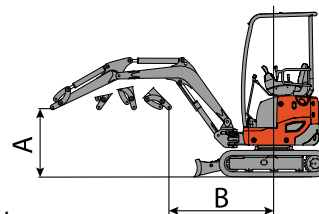
The lifting capacity is based on ISO 10567 and does not exceed 75% of the static tipping load or 87% of the hydraulic lifting capacity of the machine.

The straddle refers to the centre of rotation.

* Indicates the hydraulic load limit.

0 m refers to ground level.

The machine is understood to be equipped with a cab, rubber tracks, without a bucket and without a quick coupling.



Front



Side

Unit: ton

Raised Blade, Standard Arm (1150 mm)

() the values in parenthesis are with additional ballast: 0.08 ton

A (m)	B (m)								
	1.0		2.0		3.0		MAX		
2.0			*0,41 (*0,41)	0,36 (0,24)	0,32 (3,76)	0,21 (0,24)	0,31 (0,34)	0,16 (0,19)	3,13 m
1.0			*0,44 (*0,44)	0,34 (0,22)	0,24 (3,96)	0,19 (0,22)	0,22 (0,25)	0,14 (0,16)	3,40 m
0			*0,54 (*0,54)	0,35 (0,23)	0,24 (4,09)	0,18 (3,74)	0,23 (0,26)	0,15 (0,17)	3,29 m
-1.0	*0,41 (*0,41)	*0,41 (*0,41)	*0,55 (*0,55)	0,35 (*0,47)			0,38 (0,41)	0,18 (0,22)	2,74 m

Lowered Blade, Standard Arm (1150 mm)

() the values in parenthesis are with additional ballast: 0.08 ton

A (m)	B (m)								
	1.0		2.0		3.0		MAX		
2.0			*0,41 (*0,41)	0,36 (0,24)	*0,38 (*0,38)	0,21 (2,13)	0,31 (0,34)	0,18 (0,21)	3,13 m
1.0			*0,44 (*0,44)	0,34 (0,22)	*0,31 (*0,31)	0,19 (0,24)	0,22 (0,25)	0,15 (0,18)	3,40 m
0			*0,26 (*0,26)	0,35 (0,23)	*0,3 (*0,3)	0,18 (0,22)	0,23 (0,26)	0,16 (0,19)	3,29 m
-1.0	*0,41 (*0,41)	*0,41 (*0,41)	*0,55 (*0,55)	0,35 (*0,47)			0,38 (0,41)	0,21 (0,24)	2,74 m

Raised Blade, Optional Arm (1350 mm)

() the values in parenthesis are with additional ballast: 0.08 ton

A (m)	B (m)								
	1.0		2.0		3.0		MAX		
2.0			0,4 (0,4)	0,34 (0,23)	0,31 (3,74)	0,19 (0,22)	0,31 (0,34)	0,16 (0,19)	3,35 m
1.0			0,43 (0,43)	0,33 (0,21)	0,23 (3,94)	0,18 (0,21)	0,22 (0,25)	0,14 (0,16)	3,60 m
0			0,53 (0,53)	0,34 (0,22)	0,22 (4,07)	0,17 (3,72)	0,23 (0,26)	0,15 (0,17)	3,50 m
-1.0	*0,4 (*0,4)	*0,4 (0,4)	*0,54 (*0,54)	0,34 (*0,46)			0,38 (0,41)	0,18 (0,22)	2,99 m

Lowered Blade, Optional Arm (1350 m)

() the values in parenthesis are with additional ballast: 0.08 ton

A (m)	B (m)								
	1.0		2.0		3.0		MAX		
2.0			0,4 (0,4)	0,34 (0,23)	*0,37 (*0,37)	0,19 (2,11)	0,31 (0,34)	0,18 (0,21)	3,35 m
1.0			0,43 (0,43)	0,33 (0,21)	*0,3 (*0,3)	0,18 (0,22)	0,22 (0,25)	0,15 (0,18)	3,60 m
0			0,25 (0,25)	0,34 (0,22)	*0,29 (*0,29)	0,17 (0,21)	0,23 (0,26)	0,16 (0,19)	3,50 m
-1.0	*0,4 (*0,4)	*0,4 (*0,4)	*0,54 (*0,54)	0,34 (*0,46)			0,38 (0,41)	0,21 (0,24)	2,99 m



COMPANY WITH
QUALITY SYSTEM
CERTIFIED BY DNV GL
= ISO 9001 =

The information contained in this brochure is of a general nature. Sampierana S.p.A. reserves the right to change the product technical data and characteristics at any time without prior notice. The photographs are for illustrative purposes only and do not necessarily refer to products in standard conditions. For instructions on the correct use of the products, please consult the use and maintenance manual. Sampierana S.p.A. shall not be liable for damages or injuries resulting from failure to follow the instructions contained in the use and maintenance manual.